

TC45 6 Inch MR16 Low Voltage Non-IC Housing



Description:

TC45 6 Inch MR16 Low Voltage Non-IC Housing is designed for use in non-insulated areas. If installed where insulation is present, the insulation must be pulled back 3 inch from all sides of the housing. Lamp ratings based on trim selected. Ceramic bi-pin socket with aluminum heat shield. 120 volt to 12 volt 75 watt thermally protected magnetic transformer mounted to junction box. UL listed for through-branch wiring, damp locations and IP. Product thermally protected against improper use of installation. One 75 watt, 12 volt GU5.3 MR16 bulb is required, but not included. Halogen bulb option dimmable with a low voltage magnetic dimmer, sold separately. Check with bulb manufacturer for dimmer compatibility when using LED bulb option. UL listed. A complete fixture includes a housing and trim, sold separately.



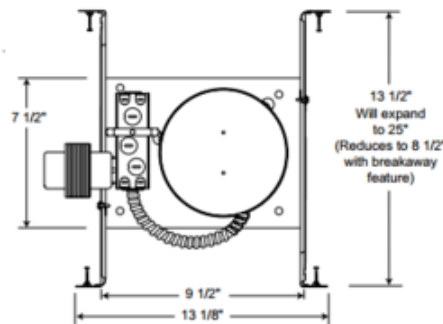
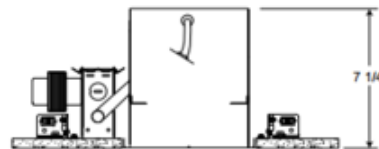
Shown in: Steel

List Price: \$192.50
 Our Price: \$115.50

Shade Color: N/A
 Body Finish: Steel
 Lamp: 1 x MR16/GU5.3 (bipin)/75W/12V Halogen
 1 x MR16/GU5.3 (bipin)/12V LED
 Wattage: 75W
 Dimmer: Low Voltage Magnetic
 Dimensions: 13.1"L x 7.25"H x 7.5"W

Technical Information

Ceiling Type: Drywall with Trim
 Housing Type: New Construction NON IC
 Housing Height: 8"
 Aperture Shape: Round
 Aperture Size: 0.000"
 Product Dimensions: 6.88 inch ceiling cutout



6 7/8" CEILING CUTOUT

Product Number: JUN26389			
Company:		Fixture Type:	Date: Mar 18, 2018
Project:		Approved By:	

#1000RS-TC45-006H1-00TC

Fax: (773) 883-6131

Phone: 866-954-4489

Address: 1718 W. Fullerton Ave. Chicago IL 60614

www.lightology.com