

TC926 Slope Ceiling New Construction Non-IC Housing



Description:

TC926 Slope Ceiling Non-IC New Construction housing is designed for use in slope ceiling applications with a 2/12 to 6/12 pitch (9 to 27 degrees) in non-insulated areas. If installed where insulation is present, the insulation must be pulled back 3 inches from all sides of the housing. Adjustable fixture height between 7 1/2 inches to 9 inches. For 2x8 or 2x10 construction. Lamp ratings based on trim selected, sold separately. Medium base porcelain with nickel-plated copper screw shell. Adjustable to position lamp perpendicular to floor. UL listed for through-branch wiring, damp locations and IP. Product thermally protected against improper use of lamps or insulation. UL listed. Halogen and incandescent bulb options dimmable with a standard incandescent dimmer, sold separately. Check with bulb manufacturer for dimmer compatibility when using LED bulb option. A complete fixture includes a housing and trim, sold separately.



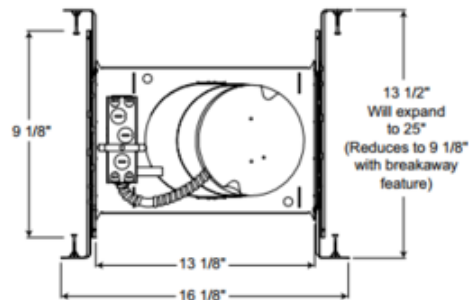
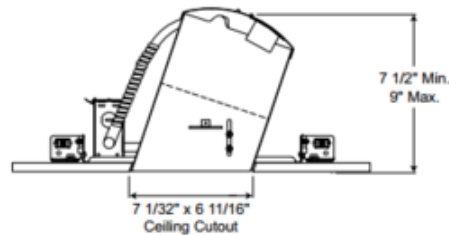
Shown in: Steel

List Price: \$64.38
 Our Price: \$38.63

- Shade Color: N/A
- Body Finish: Steel
- Lamp:
 - 1 x A19/Medium (E26)/75W/120V Incandescent
 - 1 x A19/Medium (E26)/120V LED
 - 1 x BR30/Medium (E26)/120V Halogen
 - 1 x BR30/Medium (E26)/120V Incandescent
 - 1 x BR30/Medium (E26)/120V LED
 - 1 x PAR30L/Medium (E26)/120V Halogen
 - 1 x PAR30L/Medium (E26)/120V LED
 - 1 x PAR30S/Medium (E26)/120V Halogen
 - 1 x PAR30S/Medium (E26)/120V LED
 - 1 x PAR38/Medium (E26)/120V Halogen
 - 1 x PAR38/Medium (E26)/120V LED
 - 1 x R30/Medium (E26)/120V Incandescent
 - 1 x R30/Medium (E26)/120V LED

Technical Information:

- Ceiling Type: Sloped
- Housing Type: Slope Non-IC
- Housing Height: 7 1/2" - 9"
- Aperture Size: 13 1/8"



Product Number: JUN26397			
Company:		Fixture Type:	Date: Apr 27, 2018
Project:		Approved By:	

#1000RS-TC926-00811-00TC

Fax: (773) 883-6131

Phone: 866-954-4489

Address: 1718 W. Fullerton Ave. Chicago IL 60614

www.Lightology.com