

TL552N 2-Circuit 2X480W Magnetic Remote Transformer 24V



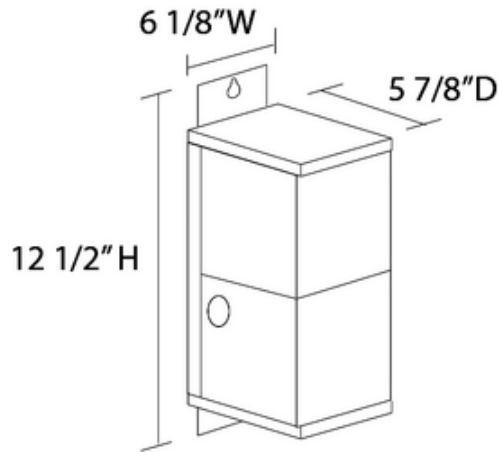
Description:

TL552N 24 Volt 2-Circuit 2X480 Watt Magnetic Remote Transformer is rated for two incandescent loads 240 to 480 watts, 120VAC input. Potted core and coil construction with 25 volt boost tap. Features thermally protected primary, manually resettable, fast-acting magnetic circuit breaker on secondary. Primary and secondary circuits physically and electrically isolated. Resettable magnetic circuit breaker. Incandescent loads can be dimmed with high quality dimmers designed specifically for use with magnetic transformer. UL Listed. New York City approved. 12.5 inch length x 6.1 inch width x 5.9 inch depth. Compatible with Juno Lighting Trac 12 and Trac 12/25 miniature low voltage track systems using low voltage halogen luminaires.

Shown in: Black

List Price: \$501.72
 Our Price: \$301.03

Shade Color: N/A
 Body Finish: Black
 Lamp: N/A
 Wattage: N/A
 Dimmer: Low Voltage Magnetic
 Dimensions: 12.5"L x 6.1"W x 5.9"D



Product Number: JUN26532			
Company:		Fixture Type:	Date: Apr 21, 2018
Project:		Approved By:	

#1000XF-TL552-000XX-00BK

Fax: (773) 883-6131

Phone: 866-954-4489

Address: 1718 W. Fullerton Ave. Chicago IL 60614

www.Lightology.com