

# Trac-Master 2-Circuit Trac



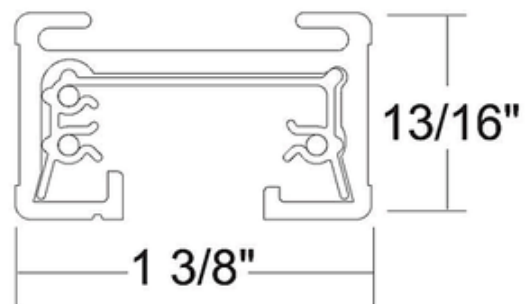
**Description:**

TU Trac-Master 2-Circuit low-profile trac sections for surface or pendant mounting. Provides two separate 20-amp circuits from a single electrical feed, or one 20-amp circuit controlled by two switches. I-beam cross section provides added strength and rigidity in pendant suspended applications. Features an extruded aluminum I-beam channel, one-piece thermoplastic insulator, injection molded polycarbonate dead-end with set screw. Available in 4, 8 and 12 foot lengths. Finish available in White, Black or Silver. UL listed. Compatible with Juno Lighting Trac-Master lampholders.

Shown in: White

List Price: \$122.10  
 Our Price: \$73.26

Shade Color: N/A  
 Body Finish: White  
 Lamp: N/A  
 Wattage: N/A  
 Dimmer: N/A  
 Dimensions: 96"L x 0.8"H x 1.4"W



Product Number: <b>JUN26763</b>			
Company:		Fixture Type:	Date: Apr 20, 2018
Project:		Approved By:	

#1000TM-TU8C-XXXXX-OOWH

Fax: (773) 883-6131

Phone: 866-954-4489

Address: 1718 W. Fullerton Ave. Chicago IL 60614

www.Lightology.com