



**BRAND**

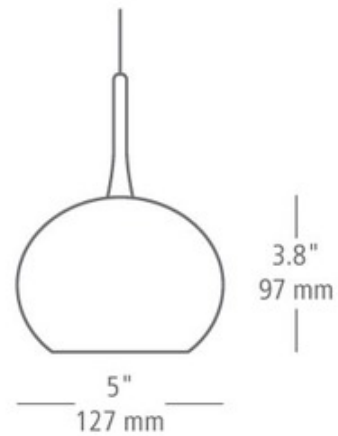
LBL Lighting

**DESCRIPTION**

Neptune pendant features a blown glass sphere with swirls of color. Glass available in amber, blue, opal, or red. Finish available in satin nickel or bronze. Also available in an LED version. Includes 6 feet field cuttable suspension cable. Includes 4 inch round flash canopy. One 50 watt, 12 volt, GY6.35 Xenon bi-pin lamp, included. 5 inch wide x 3.8 inch height. ETL listed.



<b>SHADE COLOR</b>	Amber
<b>BODY FINISH</b>	Satin Nickel
<b>WATTAGE</b>	50W
<b>DIMMER</b>	Standard 120V
<b>DIMENSIONS</b>	5"W x 3.8"H
<b>BULB INCLUDED</b>	
<b>LAMP</b>	1 x JC/GY6.35 (bipin)/50W/12V Halogen



**SPEC #** LBL36216

COMPANY	PROJECT	FIXTURE TYPE	APPROVED BY	DATE