



BRAND Visual Comfort Architectural

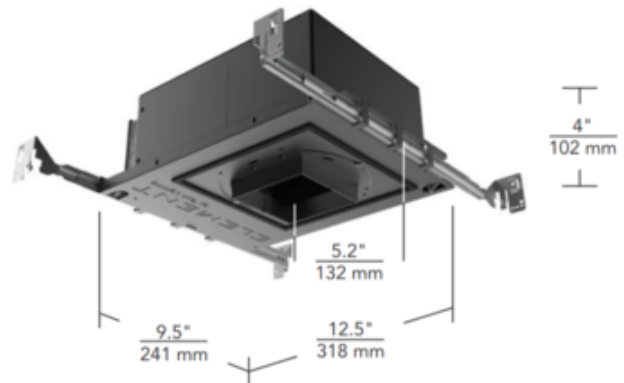
DESCRIPTION

3 Inch Square 90CRI Flangeless Fixed Downlight Non-IC Airtight, IC Airtight, or Chicago Plenum New Construction Housing for square flangeless trims. Small aperture LED downlight with architectural appearance. Includes a 12 or 17 watt LED module in three color temperature options and Warm Dim LED (3000K-1800K). Offered with a 10, 18, 25, 40 or 60 degree beam angle. 3 7/8 inch ceiling opening. Suitable for damp locations. Suitable for wet locations with shower trim option. Includes a 120-277V Universal driver dimmable with standard reverse-phase, forward-phase, TRIAC, and 0-10V dimming. Note: A complete fixture requires a housing and trim, sold separately. Note: Warm Dim option is not available with 10 degree beam angle.



Shown in: Black

SHADE COLOR	N/A
BODY FINISH	Black
WATTAGE	17W
DIMMER	Low Voltage Electronic
DIMENSIONS	12.5"L x 9.5"W x 4"H
INTEGRATED LED MODULE	
LAMP	1 x LED/17W/120-277V LED
<i>Technical Information</i>	
LUMINOUS FLUX	1476 lumens
LUMENS/WATT	86.82
LAMP COLOR	2700K
COLOR RENDERING	90 CRI
BEAM ANGLE	40°
LAMP LIFE	50000 hours
FUNCTION	Downlight
CEILING TYPE	Drywall Trimless/Flush
HOUSING TYPE	New construction NON IC Airtight
SPEC #	ELE364992



COMPANY	PROJECT	FIXTURE TYPE	APPROVED BY	DATE