

R4-499RAT 4 IN GU5.3 MR16 Non-IC Remodel Housing



Description:

R4-499RAT 4 Inch Non-IC Airtite Remodel Housing is made of aluminum and adjusts up to 1.75 inch ceiling thickness. Non IC designation requires that a minimum 3 inch clearance away from insulation should exist on all sides of housing. Airtight feature prevents airflow between attic and living areas. Meets restricted airflow requirements. One 50 watt 12 volt GU5.3 MR16 halogen lamp or LED equivalent is required, but not included. Supplied with a low voltage magnetic transformer. Halogen dimmable with a low voltage magnetic dimmer. Check with LED bulb manufacturer for dimmer compatibility using a low voltage magnetic dimmer. ETL listed. 4 inch diameter opening x 5.5 inch housing height. For use with R4 4 Inch GU5.3 MR16 compatible trims, sold separately.

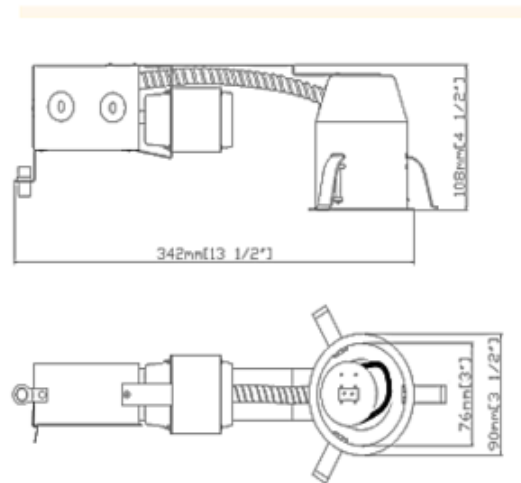
Shown in: Galvanized Steel

List Price: \$57.60
 Our Price: \$40.32

Shade Color: N/A
 Body Finish: Galvanized Steel
 Lamp: 1 x MR16/GU5.3 (bipin)/50W/12V Halogen
 1 x MR16/GU5.3 (bipin)/12V LED
 Wattage: 50W
 Dimmer: Low Voltage Magnetic
 Dimensions: 5.5"H x 13.5"W

Technical Information

Housing Type: Remodel NON IC
 Housing Height: 6"
 Aperture Size: 0.000"



Product Number: BEA36983			
Company:		Fixture Type:	Date: Mar 17, 2018
Project:		Approved By:	

#1220RS-R4499RA-004H1-00R4

Fax: (773) 883-6131

Phone: 866-954-4489

Address: 1718 W. Fullerton Ave. Chicago IL 60614

www.Lightology.com