



DESIGNER Annet van Egmond & William Brand
BRAND Brand Van Egmond

DESCRIPTION

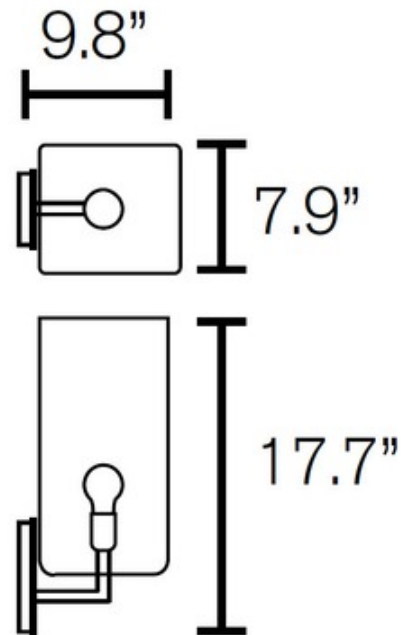
The Hollywood Block Wall Sconce features sculpted metal in an organic design, evocative of bare branched trees. Light reflects off the sinewy branches of this sculptural masterpiece. Each fixture is a unique, hand crafted piece, and comes with a certificate of authenticity.



Shown in: Nickel

SHADE COLOR	N/A
BODY FINISH	Nickel
WATTAGE	75W
DIMMER	Standard 120V
DIMENSIONS	7.9"W x 17.7"H x 9.8"D
BULB NOT INCLUDED	
LAMP	1 x A19/Medium (E26)/75W/120V Incandescent 1 x A19/Medium (E26)/120V LED

SPEC # BVE37221



COMPANY	PROJECT	FIXTURE TYPE	APPROVED BY	DATE