

IT3000E 3.5 Inch 37-50W ELV Non-IC Remodel Housing



Description:

IT3000E 3.5 Inch Low Voltage Non-IC Remodel Housing is designed for non insulated remodel applications. Non-IC designation requires that insulation be kept a minimum of 3 inches away from housing. Below ceiling accessible. Takes up to 7/8 inch ceiling thickness. Low voltage 12 volt electronic transformer is included. One 37-50 watt, 12 volt GU5.3 MR16 bulb is required, but not included. Dimmable with a low voltage electronic dimmer. See attached manufacturer dimmer compatibility reference when using LED bulb option. 3 5/8 inch ceiling cut out. 13.3 inch length x 4.6 inch width x 6 inch height. A complete fixture includes a housing and trim, sold separately.

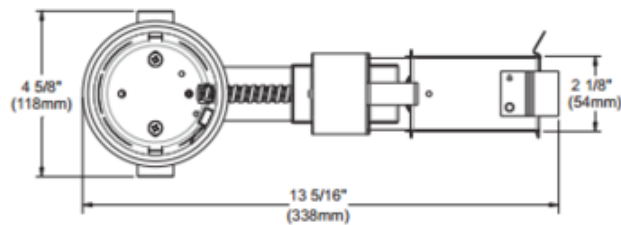
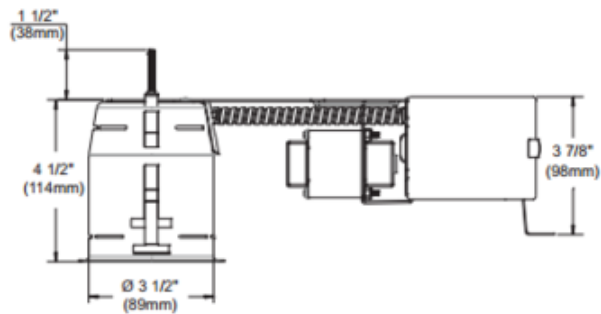
Shown in: Galvanized Steel

List Price: \$101.00
 Our Price: \$72.72

Shade Color: N/A
 Body Finish: Galvanized Steel
 Lamp: 1 x MR16/GU5.3 (bipin)/50W/12V Halogen
 1 x MR16/GU5.3 (bipin)/12V LED
 Wattage: 50W
 Dimmer: Low Voltage Electronic
 Dimensions: 13.3"L x 6"H x 4.6"W

Technical Information

Ceiling Type: Drywall with Trim
 Housing Type: Remodel NON IC
 Housing Height: 6"
 Aperture Size: 3.500"
 Product Dimensions: Cutout 3 5/8"



Product Number: CLT3803			
Company:		Fixture Type:	Date: Mar 20, 2018
Project:		Approved By:	

#0314RE-IT3000E-004H1-XXXX

Fax: (773) 883-6131

Phone: 866-954-4489

Address: 1718 W. Fullerton Ave. Chicago IL 60614

www.Lightology.com