

IT3000LM 3.5 Inch 42-50W MLV Non-IC Remodel Housing



Description:

IT3000LM 3.5 Inch Low Voltage Non-IC Remodel Housing is thermally protected and designed for non insulated remodel applications. Non-IC designation requires that insulation be kept a minimum of 3 inches away from housing. Below ceiling accessible. Takes up to a 7/8 inch ceiling thickness. Low voltage 12 volt magnetic transformer included. One 42-50 watt, 12 volt GU5.3 MR16 bulb is required, but not included. Wattage dependent on housing/trim combination. Dimmable with a low voltage magnetic dimmer. Consult bulb manufacturer for low voltage magnetic dimmer compatibility when using LED bulb option. Suitable for damp locations. UL listed. 3 5/8 inch ceiling cut out. 13.4 inch length x 4.5 inch width x 7.1 inch height. A complete fixture includes a housing and trim, sold separately.

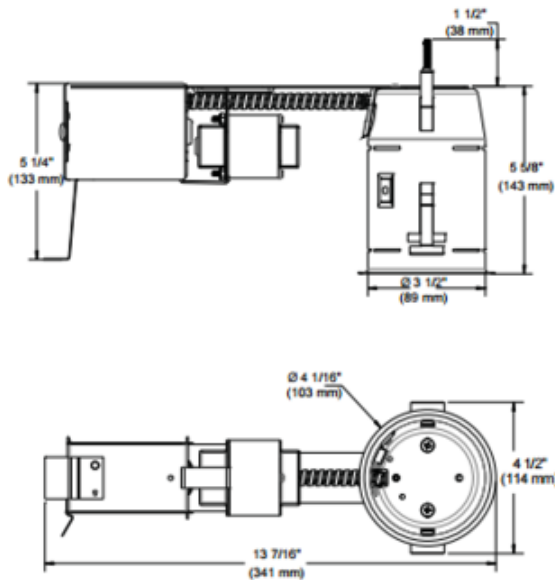
Shown in: Galvanized Steel

List Price: \$89.00
 Our Price: \$64.08

Shade Color: N/A
 Body Finish: Galvanized Steel
 Lamp: 1 x MR16/GU5.3 (bipin)/50W/12V Halogen
 1 x MR16/GU5.3 (bipin)/12V LED
 Wattage: 50W
 Dimmer: Low Voltage Magnetic
 Dimensions: 13.3"L x 7.1"H x 4.5"W

Technical Information

Ceiling Type: Drywall with Trim
 Housing Type: Remodel NON IC
 Housing Height: 7"
 Aperture Size: 3.500"
 Product Dimensions: cutout 3 5/8 inch



Product Number: CLT3805			
Company:		Fixture Type:	Date: Mar 18, 2018
Project:		Approved By:	

#0314RE-3000LM-004H1-OOMT

Fax: (773) 883-6131

Phone: 866-954-4489

Address: 1718 W. Fullerton Ave. Chicago IL 60614

www.Lightology.com