



BRAND

Hunza Lighting

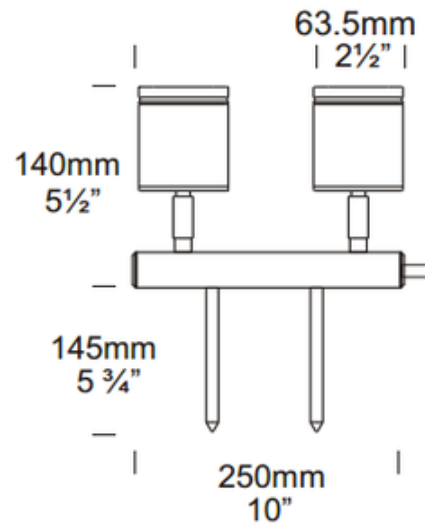
DESCRIPTION

The Twin Bar Outdoor Spot Light has two individual spotlights which can be aimed in two entirely different directions. Each spot has fully adjustable arm allowing 360 degree rotation. The Twin Bar is ideal for wall or sign illumination. Includes two 5.75 inch high spikes for in ground mounting. Machined from thick aluminum with a powder coat finish in Black with clear tempered stepped glass lenses and high temperature silicon gaskets. Includes two 20 watt 12 volt GU5.3 MR16 halogen lamps. UL listed. IP66 rated for wet locations. Optional super spike accessory available, sold separately. Requires low voltage transformer, sold separately.



SHADE COLOR	N/A
BODY FINISH	Black
WATTAGE	40W
DIMMER	Dimmable
DIMENSIONS	10"W x 5.5"H
BULB INCLUDED	
LAMP	2 x MR16/GU5.3 (bipin)/20W/12V Halogen

SPEC # HUZ38407



COMPANY	PROJECT	FIXTURE TYPE	APPROVED BY	DATE