



BRAND

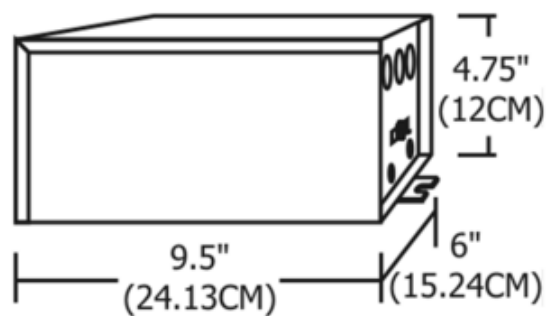
PureEdge Lighting

DESCRIPTION

600 Watt (2X300 watt) Remote Magnetic Transformer converts two line voltage inputs to two low voltage 12 volt, 300 watt outputs for powering a Monorail 2 Circuit system. Protected by fast acting secondary circuit breaker. Transformer must be installed in an accessible location (such as an attic or in a closet), and it is best to keep transformer within 20 feet of power canopy/ junction box to prevent voltage drop. Dimmable with two 600 watt magnetic low voltage dimmers, sold separately. ETL listed. Power feed or power feed canopy is required, sold separately.



SHADE COLOR	N/A
BODY FINISH	Black
WATTAGE	600W
DIMMER	Low Voltage Magnetic
DIMENSIONS	9.5"W x 4.75"H x 6"D
BULB NOT INCLUDED	
LAMP	600W Halogen



SPEC # EDG40152

COMPANY	PROJECT	FIXTURE TYPE	APPROVED BY	DATE