

Remote 300W 12V Magnetic Transformer



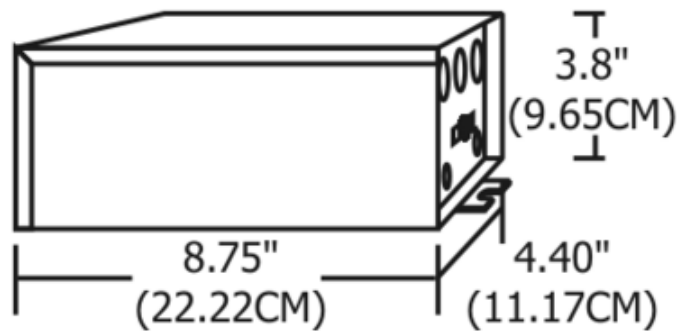
Description:

300 Watt Remote Magnetic Transformer converts line voltage input to low voltage 12 volt output for powering Monorail, Kable Lite or Fast Jack low voltage lighting systems. The remote transformer must be installed in an accessible location (such as an attic or in a closet), and it is best to keep transformer within 20 feet of the power feed/junction box to prevent voltage drop. Protected by fast acting secondary circuit breaker. Power feed or power feed canopy required, sold separately. Dimmable using a 600 watt magnetic low voltage dimmer, sold separately. Some buzzing may occur on low levels and may be reduced with a dimming de-buzzing coil, sold separately. 12 Volt magnetic transformers are LED compatible with 12 volt AC LEDs. ETL listed. 4.4 inch width x 8.75 inch length x 3.8 inch height.

Shown in: Black

List Price: \$293.00
 Our Price: \$234.40

Shade Color: N/A
 Body Finish: Black
 Lamp: 1 x 300W Halogen
 Wattage: 300W
 Dimmer: Low Voltage Magnetic
 Dimensions: 8.75"L x 3.8"H x 4.4"W



Product Number: EDG40153			
Company:		Fixture Type:	Date: Apr 24, 2018
Project:		Approved By:	

#1200XP-T30012-120XX-0000

Fax: (773) 883-6131

Phone: 866-954-4489

Address: 1718 W. Fullerton Ave. Chicago IL 60614

www.lightology.com