



BRAND

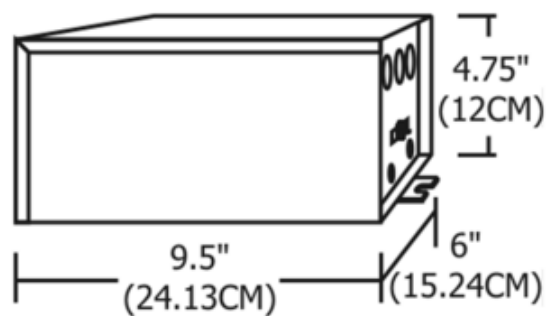
PureEdge Lighting

DESCRIPTION

600 Watt Remote Dual Feed Magnetic Transformer converts line voltage input to low voltage 12 volt output for powering Monorail, Kable Lite or Fast Jack low voltage lighting systems. Includes two isolated 300 watt runs using 12 volt lamps. The remote transformer must be installed in an accessible location (such as an attic or in a closet), and it is best to keep transformer within 20 feet of the power feed/junction box to prevent voltage drop. Protected by fast acting secondary circuit breaker. Dimmable using a 1000 watt magnetic low voltage dimmer, sold separately. Some buzzing may occur at low levels and may be reduced with a de-buzzing coil, sold separately. 12 volt magnetic transformers are LED compatible with 12 volt AC LEDs. ETL listed. Dual power feed or power feed canopy required, sold separately.



SHADE COLOR	N/A
BODY FINISH	Black
WATTAGE	600W
DIMMER	Low Voltage Magnetic
DIMENSIONS	9.5"W x 4.75"H x 6"D
BULB NOT INCLUDED	
LAMP	600W Halogen



SPEC # EDG40159

COMPANY	PROJECT	FIXTURE TYPE	APPROVED BY	DATE