

Remote 600W 24V Magntic Transformer



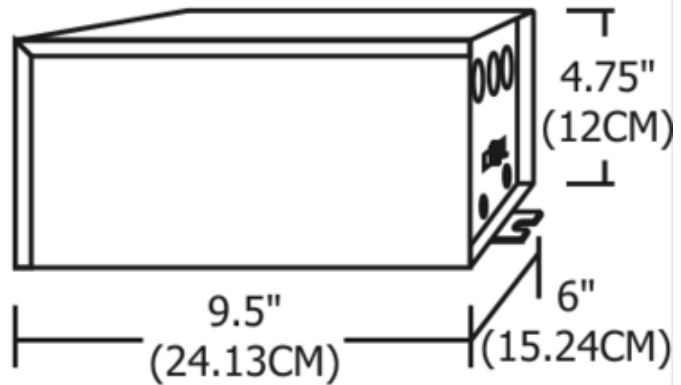
Description:

600 Watt Remote Magnetic Transformer converts line voltage input to low voltage 24 volt output for powering Monorail, Kable Lite or Fast Jack low voltage lighting systems. The remote transformer must be installed in an accessible location (such as an attic or in a closet), and it is best to keep transformer within 20 feet of the power feed/junction box to prevent voltage drop. Protected by fast acting secondary circuit breaker. Power feed or power feed canopy required, sold separately. Dimmable using a 1000 watt magnetic low voltage dimmer, sold separately. Some buzzing may occur on low levels and may be reduced with a dimming de-buzzing coil, sold separately. 24 volt lamp must be used. ETL listed. 6 inch width x 9.5 inch length x 4.75 inch height.

Shown in: Black

List Price: \$204.00
 Our Price: \$122.40

Shade Color: N/A
 Body Finish: Black
 Lamp: 1 x 600W Halogen
 Wattage: 600W
 Dimmer: Low Voltage Magnetic
 Dimensions: 9.5"L x 4.75"H x 6"W



Product Number: EDG40161			
Company:		Fixture Type:	Date: Apr 25, 2018
Project:		Approved By:	

#1200XP-T60024-120XX-0000

Fax: (773) 883-6131

Phone: 866-954-4489

Address: 1718 W. Fullerton Ave. Chicago IL 60614

www.lightology.com