

Hollywood 1702 Projector



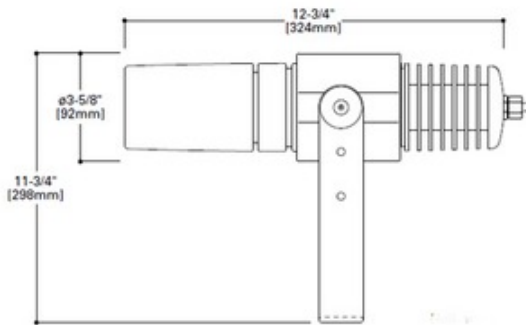
Description:

Hollywood 1702 is an ultra-compact low voltage image projector for use with an MR16 lamp source. Its rugged construction, petite scale and contemporary design make it ideal for indoor or outdoor image projection applications. The precision ground lens/condenser system projects clear, crisp images. It accepts industry standard Micro-E steel gobos. The fully adjustable mounting yoke utilizes a unique clutch locking mechanism for easy, precise aiming. Lumiere's exclusive Siphon Protection System (S.P.S.) prevents water from siphoning into the fixture through its own lead wires. Finish available in black, city silver, white, bronze and verde. One 75 watt, 12 volt, MR16 bi-pin base halogen lamp not included. 3.63W x 11.75H x 12.75L.

Shown in: Black

List Price: \$1032.00
Our Price: \$928.80

Shade Color: N/A
Body Finish: Black
Lamp: 1 x MR16/GU5.3 (bipin)/75W/12V Halogen
 1 x MR16/GU5.3 (bipin)/12V LED
Wattage: 75W
Dimmer: Incandescent
Dimensions: 12.75"L x 11.75"H x 3.63"W



Product Number: RAI42634			
Company:		Fixture Type:	Date: Mar 21, 2018
Project:		Approved By:	

#0315SF-1702-XXXI1-GLBK

Fax: (773) 883-6131

Phone: 866-954-4489

Address: 1718 W. Fullerton Ave. Chicago IL 60614

www.Lightology.com