



**DESIGNER**

Mariano Fortuny

**BRAND**

Venetian Designs

**DESCRIPTION**

The Scudo Saraceno Silk Pendant is inspired by the Saraceno Shield from Medieval times. The delicate silk is complemented by striking details including Murano beads with a brass structure finish and a dark brown canopy in a stylistic Turkish -Venetian motif. Patterns available in Classic or Serpentine in Gold, Salmon, Sage Grey, Ivory or Light Blue, or Plain in Ivory in three sizes. Made in Italy. Classic pattern features a small red line in pattern. Note: Overall height is not adjustable and must be specified to order. Small Minimum / Maximum height: 33 / 62.63 in. Medium Minimum / Maximum height: 35.63 / 63.13 in. Large Minimum / Maximum height: 37.63 / 64.38 in.



Shown in: Brass / Sage Grey Serpentine

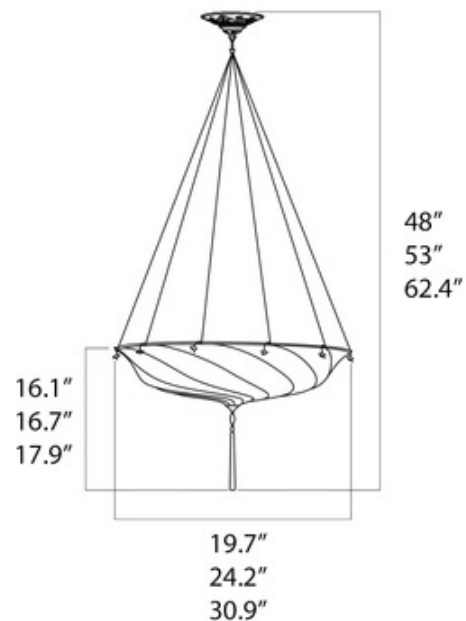
<b>SHADE COLOR</b>	Sage Grey Serpentine
<b>BODY FINISH</b>	Brass
<b>WATTAGE</b>	100W
<b>DIMMER</b>	Standard 120V
<b>DIMENSIONS</b>	30.88"W x 17.91"H
<b>BULB NOT INCLUDED</b>	
<b>LAMP</b>	1 x A19/Medium (E26)/100W/120V Incandescent 1 x A19/Medium (E26)/120V LED

*Technical Information*

**PRODUCT DIMENSIONS** Standard / Min / Max Overall Height: Standard 62.3/8" / Min 37.5/8" / Max 64.3/8"

**SPEC #**

VEN442



COMPANY

PROJECT

FIXTURE TYPE

APPROVED BY

DATE