



DESIGNER

Mariano Fortuny

BRAND

Venetian Designs

DESCRIPTION

Scheherazade Multi Tier suspension features a pure silk shade, brass structure and a dark brown canopy. Available in hand painted brown geometric, green herbarium, brown floral or an ivory plain silk shade. Available in a 2-tier with one bulb and a 3-tier option with three bulbs. Made in Italy. Note: Overall height is not adjustable and must be specified to order. 2-Tier Minimum / Maximum height: 46 / 71.63 in. 3-Tier Minimum / Maximum height: 53.5 / 74.88 in.



Shown in: Brass / Brown Floral

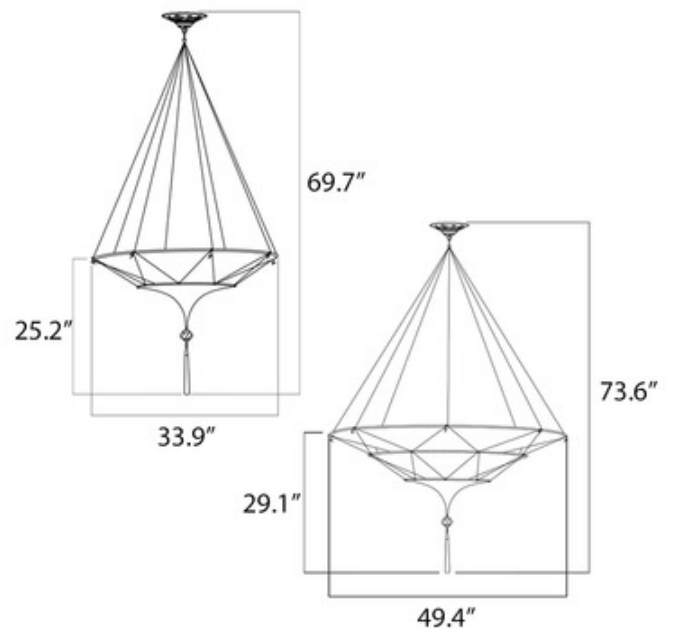
SHADE COLOR	Brown Floral
BODY FINISH	Brass
WATTAGE	100W
DIMMER	Standard 120V
DIMENSIONS	33.9"W x 25.2"H
BULB NOT INCLUDED	
LAMP	1 x A19/Medium (E26)/100W/120V Incandescent 1 x A19/Medium (E26)/120V LED

Technical Information

PRODUCT DIMENSIONS Maximum Overall Height: 69.7"

SPEC #

VEN462



COMPANY

PROJECT

FIXTURE TYPE

APPROVED BY

DATE