

# Monorail Adjustable Standoff



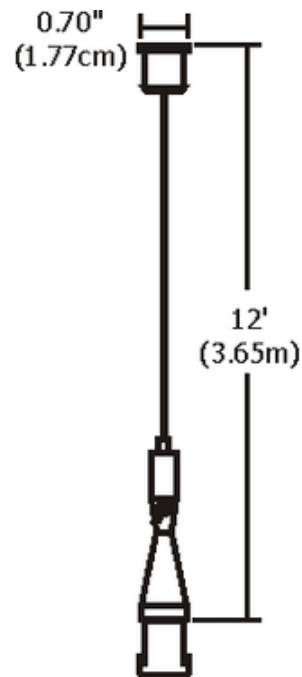
**Description:**

Monorail adjustable standoffs feature a clean and minimal look. Best suited for straight runs. 12 feet of field-cutttable aircraft cable is adjustable with integral wire grip. Place a standoff every 3 feet on the rail system. For best appearance, place a standoff near the end of the run and at every point where joining two pieces of Monorail together. Finish available in satin nickel, polished nickel or antique bronze. ETL listed.

Shown in: Satin Nickel

List Price: \$84.00  
 Our Price: \$67.20

Shade Color: N/A  
 Body Finish: Satin Nickel  
 Lamp: N/A  
 Wattage: N/A  
 Dimmer: N/A  
 Dimensions: 1.44"L x 0.7"W



|                                 |  |               |                    |
|---------------------------------|--|---------------|--------------------|
| Product Number: <b>EDG47972</b> |  |               |                    |
| Company:                        |  | Fixture Type: | Date: Mar 24, 2018 |
| Project:                        |  | Approved By:  |                    |

#1200MO-ADJSTD-144XX-00SN

Fax: (773) 883-6131

Phone: 866-954-4489

Address: 1718 W. Fullerton Ave. Chicago IL 60614

www.Lightology.com