

Monorail Electronic Recessed Transformer

Designer: Gregory Kay

Description:

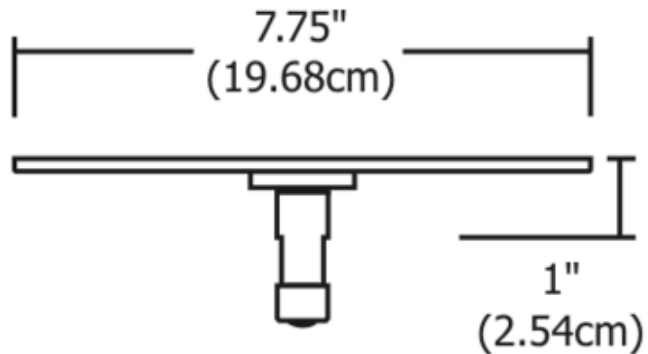
Monorail single-feed surface mount 150 watt recessed electronic transformer converts standard 120 volt line voltage to 12 volts. The recessed transformer mounts to a 6in - 6/12in down light cans that contain in C shaped hooks. It runs Monorail sections 1 inch from the ceiling. Recessed can transformer can be used with: Juno IC2, TC2, and TC2R HALO H7Tand H7RT Cooper Lighting H27RT, Capri (Thom as) Lighting PR75ASIC/TPR75ASIC/DY6431 Progress Lighting P7TG, P8TG, & PIO8-TG cans. Edge Lighting is not affiliated with or endorsed by any of the companies listed above.



Shown in: Polished Nickel

List Price: \$56.00
Our Price: \$33.60

Shade Color: N/A
Body Finish: Polished Nickel
Lamp: N/A
Wattage: N/A
Dimmer: Low Voltage Electronic
Dimensions: 1"H x 7.75"W



Product Number: EDG48015			
Company:		Fixture Type:	Date: Apr 21, 2018
Project:		Approved By:	

#1200MO-ELET150-OOXX-WHPN

Fax: (773) 883-6131

Phone: 866-954-4489

Address: 1718 W. Fullerton Ave. Chicago IL 60614

www.Lightology.com