



BRAND

PureEdge Lighting

DESCRIPTION

Monorail flexible conductive connectors physically and electrically joins two Monorail sections at any angle from 45 to 180 degrees. Sold as a pair. Finish available in satin nickel or antique bronze. ETL listed. Note: Limited quantities available in Bronze finish.

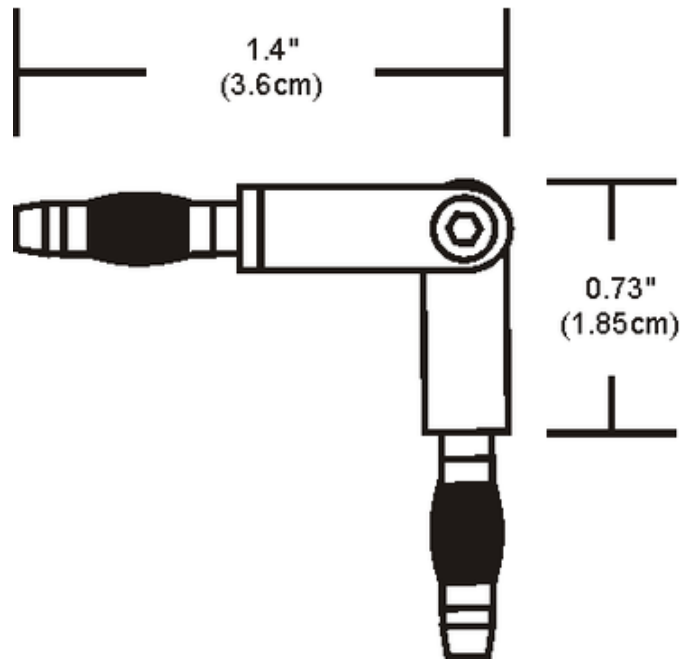


Shown in: Satin Nickel

SHADE COLOR	N/A
BODY FINISH	Satin Nickel
WATTAGE	N/A
DIMMER	N/A
DIMENSIONS	1.4" L x 1.4" W
LAMP	N/A

SPEC #

EDG48025



COMPANY

PROJECT

FIXTURE TYPE

APPROVED BY

DATE
