

Monorail 300W Extended Surface Mount Transformer



Designer: Gregory Kay

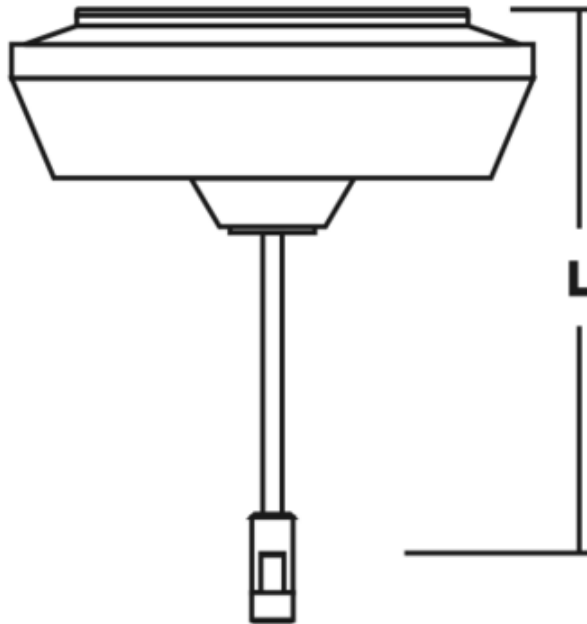
Description:

Monorail single feed, 300 watt, 12 volt, extended surface mount magnetic transformer converts 120 volt input to low-voltage 12 volt output. The decorative surface mount transformer mounts to a standard 4 inch square electrical box with round plaster ring or octagon electrical box (not included). Available in 6, 12, 24, 36, 48 and 96 inch heights. Use with corresponding standoff's. Maximum 300 watt load. Is LED compatible with 12 volt AC LED's. Finish available in satin nickel, polished nickel, or antique bronze. ETL listed.

Shown in: Polished Nickel

List Price: \$256.00
Our Price: \$153.60

Shade Color: N/A
Body Finish: Polished Nickel
Lamp: N/A
Wattage: N/A
Dimmer: Low Voltage Magnetic
Dimensions: 12"H



Product Number: EDG48158			
Company:		Fixture Type:	Date: Mar 21, 2018
Project:		Approved By:	

#1200MO-MT300P-12V12-OOPN

Fax: (773) 883-6131

Phone: 866-954-4489

Address: 1718 W. Fullerton Ave. Chicago IL 60614

www.Lightology.com