

# Monorail 300W 24V Sloped Ceiling Surface Mount Transformer



**Designer:** Gregory Kay

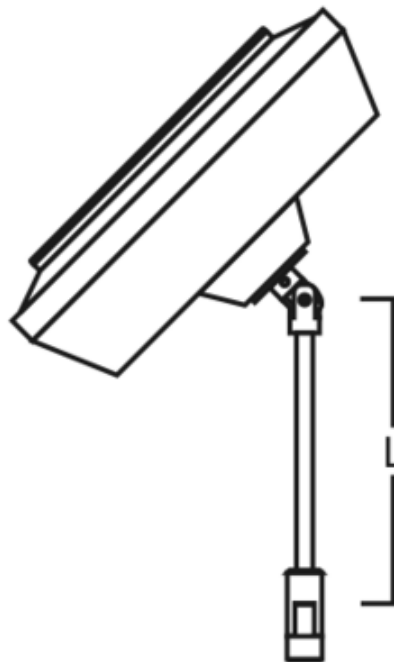
**Description:**

Monorail 300W 24V sloped ceiling surface mount transformer mounts to a standard 4 inch square electrical box with round plaster ring or octagon electrical box (not included). The transformer converts standard 120V line voltage to safe-to-touch 24V low voltage power, and is protected by fast-acting circuit breakers. For use with Halogen or LED lamp sources, maximum 300W load. Dimmable with a standard magnetic low voltage dimmer with halogen lamp sources. For dimming LED visit [www.edgelighting.com](http://www.edgelighting.com) for the most up-to-date dimmer information. Available in 2, 6, 12, 24, 36, 48, or 96 inch heights. Finish available in satin nickel, polished nickel, or antique bronze. ETL listed.

Shown in: Polished Nickel

**List Price:** \$677.00  
**Our Price:** \$541.60

**Shade Color:** N/A  
**Body Finish:** Polished Nickel  
**Lamp:** N/A  
**Wattage:** N/A  
**Dimmer:** Low Voltage Magnetic  
**Dimensions:** 6"H



Product Number: <b>EDG48224</b>			
Company:		Fixture Type:	Date: Apr 25, 2018
Project:		Approved By:	

#1200MO-MT300S-24V06-OOPN

Fax: (773) 883-6131

Phone: 866-954-4489

Address: 1718 W. Fullerton Ave. Chicago IL 60614

[www.Lightology.com](http://www.Lightology.com)