

Monorail 300W Surface Mount Magnetic Transformer



Designer: Gregory Kay

Description:

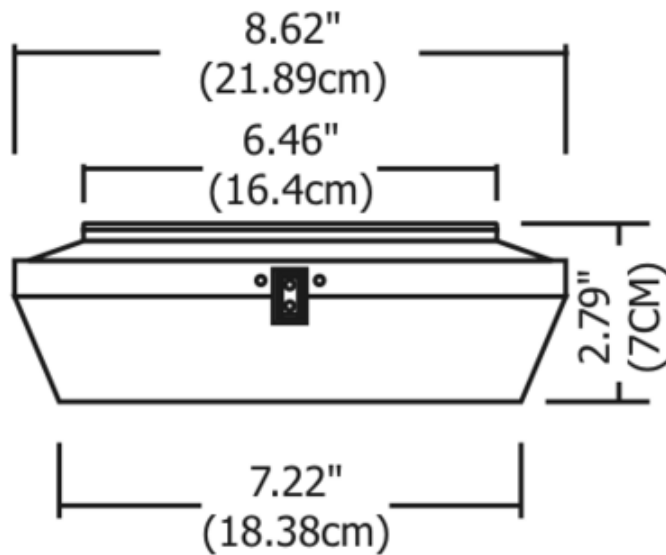
Monorail single feed, 300 watt, 12 volt, surface mount magnetic transformer converts 120 volt input to low-voltage 12 volt output. The decorative surface mount transformer mounts to a standard 4 inch square electrical box with round plaster ring or octagon electrical box (not included). Rail attaches to one or both side-feed contacts using push-in conductive connectors (included). Standard surface mount transformer powers the rail 1 inch from ceiling. Use with 1 inch standoff's. Maximum 300 watt load. Is LED compatible with 12 volt AC LED's. Finish available in satin nickel, polished nickel, or antique bronze. ETL listed.



Shown in: Satin Nickel

List Price: \$576.00
Our Price: \$460.80

Shade Color: N/A
Body Finish: Satin Nickel
Lamp: N/A
Wattage: N/A
Dimmer: Low Voltage Magnetic
Dimensions: 2.8"H x 8.62"W



Product Number: EDG48231			
Company:		Fixture Type:	Date: Mar 24, 2018
Project:		Approved By:	

#1200MO-MT30P-12VXX-OOSN

Fax: (773) 883-6131

Phone: 866-954-4489

Address: 1718 W. Fullerton Ave. Chicago IL 60614

www.Lightology.com