

# Monorail 300W 24V Surface Mount Magnetic Transformer



**Designer:** Gregory Kay

**Description:**

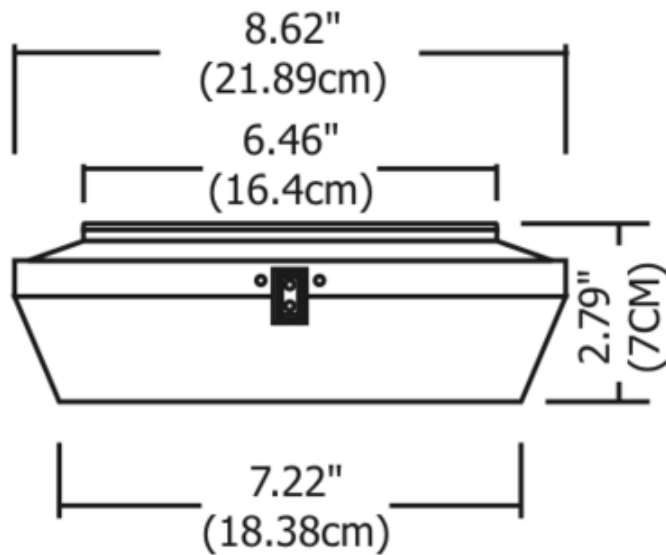
Monorail single feed, 300 watt, 24 volt, surface mount magnetic transformer converts 120 volt input to low-voltage 24 volt output. The decorative surface mount transformer mounts to a standard 4 inch square electrical box with round plaster ring or octagon electrical box (not included). Rail attaches to one or both side-feed contacts using push-in conductive connectors (included). Standard surface mount transformer powers the rail 1 inch from ceiling. Use with 1 inch standoff's. Maximum 300 watt load. Finish available in satin nickel, polished nickel, or antique bronze. ETL listed.



Shown in: Satin Nickel

**List Price:** \$269.00  
**Our Price:** \$67.25

**Shade Color:** N/A  
**Body Finish:** Satin Nickel  
**Lamp:** N/A  
**Wattage:** N/A  
**Dimmer:** Low Voltage Magnetic  
**Dimensions:** 2.8"H x 8.62"W



Product Number: <b>EDG48234</b>			
Company:		Fixture Type:	Date: Mar 19, 2018
Project:		Approved By:	

#1200MO-MT30P-24VXX-OOSN

**Fax:** (773) 883-6131

**Phone:** 866-954-4489

**Address:** 1718 W. Fullerton Ave. Chicago IL 60614

**www.Lightology.com**