

Monorail 600W 24V Sloped Ceiling Surface Mount Transformer



Designer: Gregory Kay

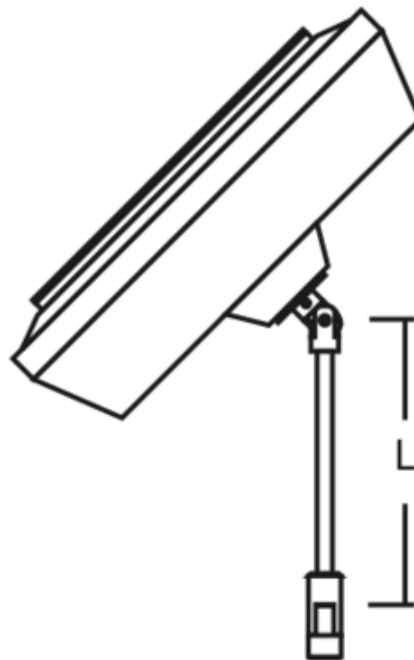
Description:

Monorail 600W 24V sloped ceiling surface mount transformer mounts to a standard 4 inch square electrical box with round plaster ring or octagon electrical box (not included). The transformer converts standard 120V line voltage to safe-to-touch 24V low voltage power, and is protected by fast-acting circuit breakers. For use with Halogen or LED lamp sources, maximum 2 x 300W load. Dimmable with a standard magnetic low voltage dimmer with halogen lamp sources. For dimming LED visit www.edgelighting.com for the most up-to-date dimmer information. Available in 6, 12, 24, 36, 48, or 96 inch heights. Finish available in satin nickel, polished nickel, or antique bronze. ETL listed.

Shown in: Satin Nickel

List Price: \$1086.00
Our Price: \$868.80

Shade Color: N/A
Body Finish: Satin Nickel
Lamp: N/A
Wattage: N/A
Dimmer: Low Voltage Magnetic
Dimensions: 12"H



Product Number: EDG48273			
Company:		Fixture Type:	Date: Apr 22, 2018
Project:		Approved By:	

#1200MO-MT600S-24V12-OOSN

Fax: (773) 883-6131

Phone: 866-954-4489

Address: 1718 W. Fullerton Ave. Chicago IL 60614

www.Lightology.com