



**DESIGNER**

Gregory Kay

**BRAND**

PureEdge Lighting

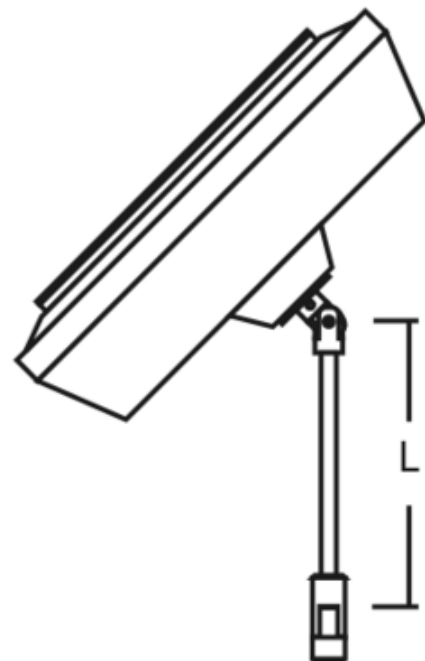
**DESCRIPTION**

Monorail 600W dual feed sloped ceiling surface mount transformer mounts to a standard 4 inch square electrical box with round plaster ring or octagon electrical box (not included). The transformer converts standard 120V line voltage to safe-to-touch 12V low voltage power, and is protected by fast-acting circuit breakers. For use with Halogen or LED lamp sources, maximum 2 x 300W loads. Dimmable with a standard magnetic low voltage dimmer with halogen lamp sources. For dimming LED visit [www.edgelighting.com](http://www.edgelighting.com) for the most up-to-date dimmer information. Available in 2, 6, 12, 24, 36, 48, or 96 inch heights. Finish available in satin nickel, polished nickel, or antique bronze. ETL listed.



<b>SHADE COLOR</b>	N/A
<b>BODY FINISH</b>	Satin Nickel
<b>WATTAGE</b>	600W
<b>DIMMER</b>	Low Voltage Magnetic
<b>DIMENSIONS</b>	12"H
<b>LAMP</b>	N/A

**SPEC #** EDG48291



COMPANY	PROJECT	FIXTURE TYPE	APPROVED BY	DATE