

Monorail 600W Dual Feed Surface Mount Magnetic Transformer



Designer: Gregory Kay

Description:

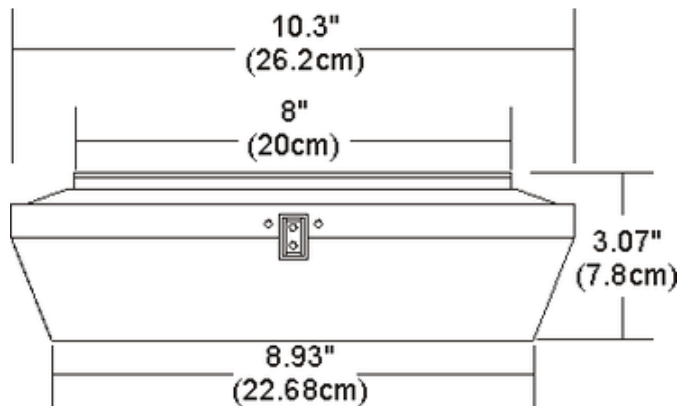
Monorail dual feed, 600 watt (2x300), 12 volt, surface mount magnetic transformer converts 120 volt input to two low-voltage 12 volt output. The decorative surface mount transformer mounts to a standard 4 inch square electrical box with round plaster ring or octagon electrical box (not included). Rail attaches to one or both side-feed contacts using push-in conductive connectors (included). Standard surface mount transformer powers the rail 1 inch from ceiling. Use with 1 inch standoff's. Maximum 2x300 watt loads. Is LED compatible with 12 volt AC LED's. Finish available in satin nickel, polished nickel, or antique bronze. ETL listed.



Shown in: Satin Nickel

List Price: \$455.00
Our Price: \$273.00

Shade Color: N/A
Body Finish: Satin Nickel
Lamp: N/A
Wattage: N/A
Dimmer: Low Voltage Magnetic
Dimensions: 3.07"H x 10.31"W



Product Number: EDG48312			
Company:		Fixture Type:	Date: Apr 27, 2018
Project:		Approved By:	

#1200MO-MT60P-12VXX-OOSN

Fax: (773) 883-6131

Phone: 866-954-4489

Address: 1718 W. Fullerton Ave. Chicago IL 60614

www.Lightology.com