

Monorail 300W Surface Mount Electronic Transformer



Designer: Gregory Kay

Description:

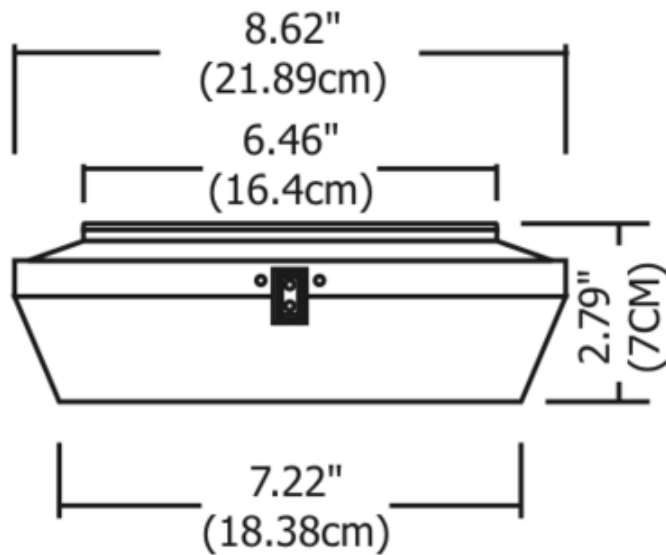
Monorail single feed, 300 watt, 12 volt, surface mount electronic transformer converts 120 volt line voltage to 12 volts. The decorative surface mount transformer mounts to a standard 4 inch square electrical box with round plaster ring or octagon electrical box (not included). Rail attaches to one or both side-feed contacts using push-in conductive connectors (included). Standard surface mount transformer powers the rail 1 inch from ceiling. Use with 1 inch standoffs. Maximum 300 watt load. Finish available in satin nickel, polished nickel, or antique bronze. ETL listed.



Shown in: Satin Nickel

List Price: \$236.00
Our Price: \$141.60

Shade Color: N/A
Body Finish: Satin Nickel
Lamp: N/A
Wattage: N/A
Dimmer: Low Voltage Electronic
Dimensions: 2.36"H x 7.47"W



Product Number: EDG48471			
Company:		Fixture Type:	Date: Apr 22, 2018
Project:		Approved By:	

#1200XP-MTE300-012XX-OOSN

Fax: (773) 883-6131

Phone: 866-954-4489

Address: 1718 W. Fullerton Ave. Chicago IL 60614

www.lightology.com