

Remote 300W 24V Plug-In Magnetic Transformer



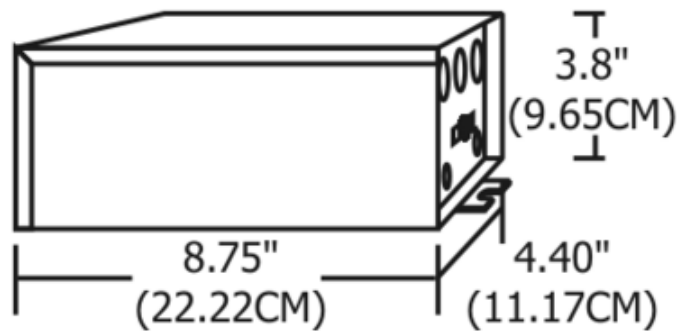
Description:

Remote 300 watt, 24 volt, plug-in magnetic transformer converts 120 volt input to low-voltage 24 volt output for powering Monorail systems. Needs to be installed in an accessible location, such as an attic or in a closet. To prevent voltage drop it is best to keep the transformer within 20 feet of the power feed canopy or junction box. Some buzzing may occur at low levels and may be reduced with a de-buzzing coil, sold separately. ETL listed.

Shown in: Black

List Price: \$434.00
 Our Price: \$347.20

Shade Color: N/A
 Body Finish: Black
 Lamp: 1 x 300W Halogen
 Wattage: 300W
 Dimmer: Low Voltage Magnetic
 Dimensions: 8.75"L x 3.8"H x 4.4"W



Product Number: EDG48483			
Company:		Fixture Type:	Date: Apr 20, 2018
Project:		Approved By:	

#1200XP-T30024-PLGXX-0002

Fax: (773) 883-6131

Phone: 866-954-4489

Address: 1718 W. Fullerton Ave. Chicago IL 60614

www.lightology.com