



**BRAND**

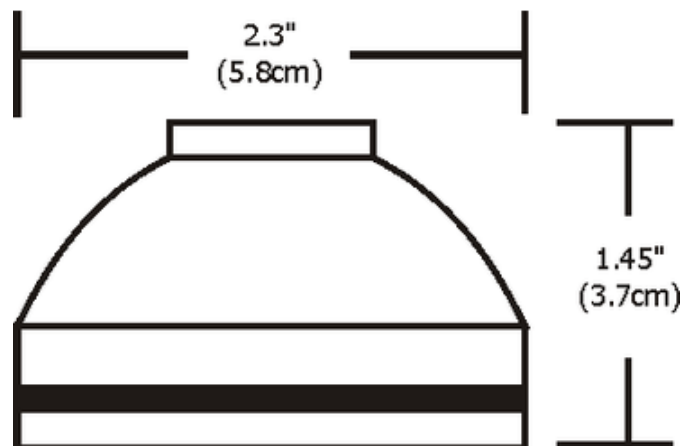
PureEdge Lighting

**DESCRIPTION**

S6 Round Shade accessory is a round metal shade that fits on Chopper and Vespa and holds two lenses or a combination of a louver and lens using the included Louver Lens Holder. 12 volt, GU5.3 IR MR6 up to 37 watts. Note: Limited quantities available.



SHADE COLOR	N/A
BODY FINISH	Polished Nickel
WATTAGE	N/A
DIMMER	N/A
DIMENSIONS	2.3"W x 1.45"H
LAMP	1 x MR16/GU5.3 (bipin)/12V LED



SPEC #

EDG48539

COMPANY

PROJECT

FIXTURE TYPE

APPROVED BY

DATE