



BRAND

Access

DESCRIPTION

The Viper Multi Light Adjustable Spot Track features metal construction. Available in halogen or LED in two sizes. Listed Title 20 for LED only. Black finish available in LED option only.



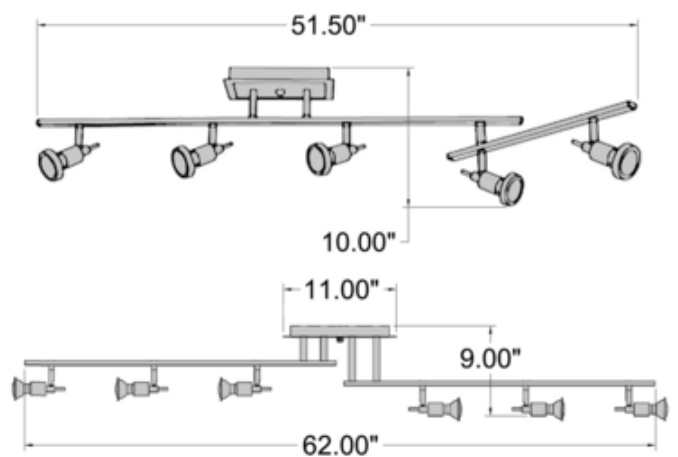
Shown in: Brushed Steel

| | |
|--------------------------|--|
| SHADE COLOR | N/A |
| BODY FINISH | Brushed Steel |
| WATTAGE | 210W |
| DIMMER | Standard 120V |
| DIMENSIONS | 62"W x 9"H |
| BULB NOT INCLUDED | |
| LAMP | 6 x MR16/GU10/35W/120V Halogen 6 x MR16/GU10/35W/120V Halogen |

Technical Information

| | |
|----------------------|-------------|
| LUMINOUS FLUX | 1920 lumens |
| LUMENS/WATT | 54.86 |

SPEC # ACC48674



| COMPANY | PROJECT | FIXTURE TYPE | APPROVED BY | DATE |
|---------|---------|--------------|-------------|------|
| | | | | |