



BRAND

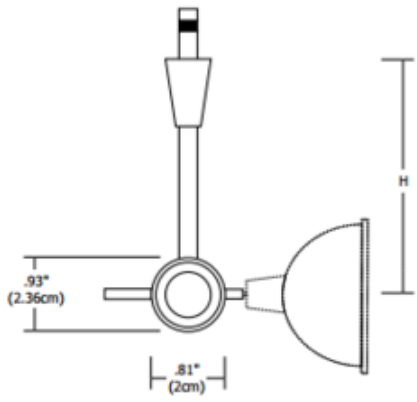
PureEdge Lighting

DESCRIPTION

Chopper Fast Jack fixture head with a S7 mesh back shade combines simple shapes with beveled edges. Can also be used without shade. Head rotates 360 degrees and tilts 270 degrees. For use with Edge Lighting single circuit Monorail, 2-circuit Monorail, or Fast Jack canopy. Available in a 1 inch stem length in Satin Nickel finish with Black mesh shade. Mesh shade includes louver lens holder. Includes Fast Jack connector. One 12 volt, 75 watt GU5.3 MR16 halogen bulb or LED equivalent is required, but not included. Optional optical accessories available, sold separately. Fast Jack canopy required if used as a monopoint, sold separately. Image shown in Polished Nickel with Chrome mesh shade.



SHADE COLOR	N/A
BODY FINISH	Polished Nickel/ Polished Nickel
WATTAGE	75W
DIMMER	Dimmable
DIMENSIONS	1"L x 0.93"W x 0.81"H
BULB NOT INCLUDED	
LAMP	1 x MR16/GU5.3 (bipin)/75W/12V Halogen 1 x MR16/GU5.3 (bipin)/12V LED



SPEC # EDG49052

COMPANY	PROJECT	FIXTURE TYPE	APPROVED BY	DATE