



DESIGNER

Gregory Kay

BRAND

PureEdge Lighting

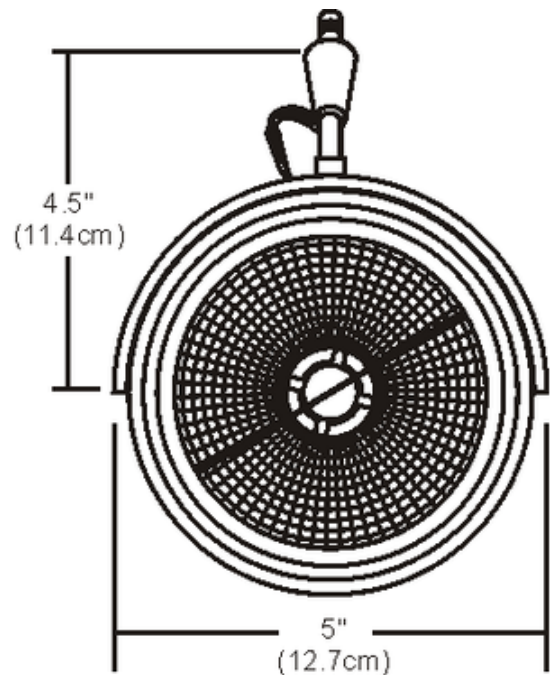
DESCRIPTION

Function Round Fast Jack fixture is geometrically shaped and rotates 360 degrees and tilts 180 degrees vertically. Available with a 5 inch stem length. Also available in a square head version. Mounts to a Monorail connector, Monorail 2 Circuit connector, or Fast Jack power canopy, sold separately. Finish available in Satin Nickel. One 75 Watt, 12 Volt, AR111 with screw terminal base is required, but not included. ETL listed.



SHADE COLOR	N/A
BODY FINISH	Satin Nickel
WATTAGE	75W
DIMMER	Dimmable
DIMENSIONS	5"W x 4.5"H
BULB NOT INCLUDED	
LAMP	1 x AR111/G53 (M4)/75W/12V Halogen

SPEC # EDG49187



COMPANY

PROJECT

FIXTURE TYPE

APPROVED BY

DATE
