



**BRAND**

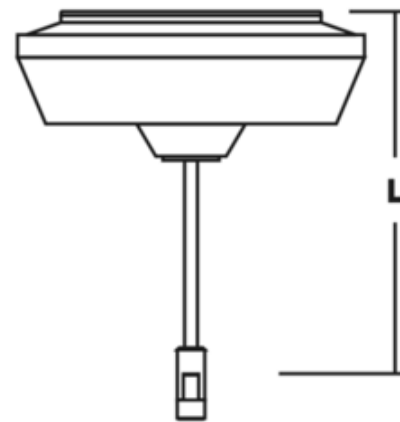
PureEdge Lighting

**DESCRIPTION**

Monorail 2-Circuit 2x150 watt, 12 volt, extended surface mount magnetic transformer converts two 120 volt input to two low-voltage 12 volt output. The decorative surface mount transformer mounts to a standard 4 inch square electrical box with round plaster ring or octagon electrical box (not included). Available in 36, 48 and 96 inch lengths. Use with corresponding standoff lengths. Maximum 2x150 watt load. LED compatible with 12 volt AC LEDs. NOTE: AVAILABLE IN ANTIQUE BRONZE FINISH ONLY. IMAGE SHOWN IN DISCONTINUED SATIN NICKEL FINISH.



SHADE COLOR	N/A
BODY FINISH	Satin Nickel
WATTAGE	300W
DIMMER	Low Voltage Magnetic
DIMENSIONS	96"L x 8.57"W x 3.31"H
LAMP	N/A



**Dimensions:**

- P12** 12"
- P24** 24"
- P36** 36"
- P48** 48"
- P96** 96"

SPEC # EDG50128

COMPANY	PROJECT	FIXTURE TYPE	APPROVED BY	DATE