

# Monorail 2-Circuit 2x250W Extended Magnetic Transformer



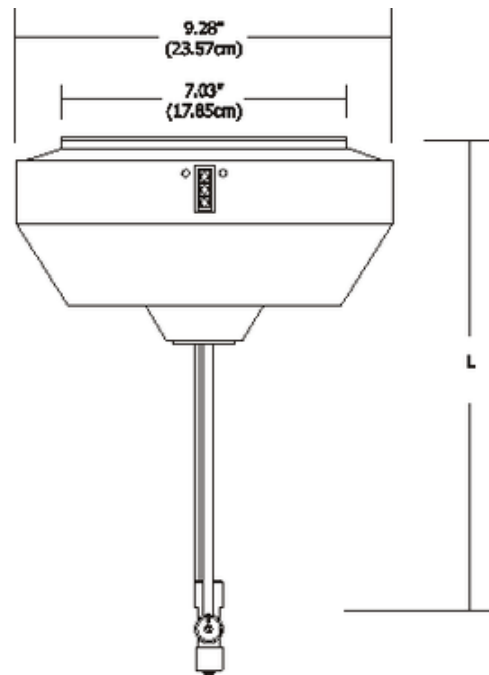
**Description:**

Monorail 2-Circuit 2x250 watt, 12 volt, extended surface mount magnetic transformer converts two 120 volt input to two low-voltage 12 volt output. The decorative surface mount transformer mounts to a standard 4 inch square electrical box with round plaster ring or octagon electrical box (not included). Available in 12, 24, 36, 48 and 96 inch heights. Use with corresponding standoff's. Maximum 2x250 watt load. Is LED compatible with 12 volt AC LED's. Finish available in satin nickel, polished nickel, or antique bronze. ETL listed.

Shown in: Satin Nickel

List Price: \$1536.00  
 Our Price: \$1228.80

Shade Color: N/A  
 Body Finish: Satin Nickel  
 Lamp: N/A  
 Wattage: N/A  
 Dimmer: Low Voltage Magnetic  
 Dimensions: 96"H x 9.28"W



Product Number: <b>EDG50167</b>			
Company:		Fixture Type:	Date: Apr 26, 2018
Project:		Approved By:	

#1200M2-2X250P-096XX-OOSN

Fax: (773) 883-6131

Phone: 866-954-4489

Address: 1718 W. Fullerton Ave. Chicago IL 60614

www.Lightology.com