

# Monorail 2-Circuit 4 Inch Round Dual Feed Canopy



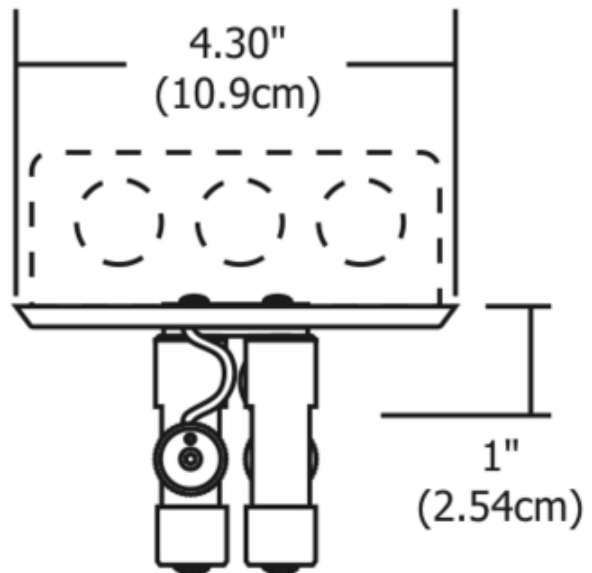
**Description:**

Monorail 2-Circuit 4 inch round dual feed canopy mounts on the ceiling above the 2-circuit monorail run. It is mounted to a standard 4 inch junction box with plaster ring, or octagon electrical box, where the low voltage leads from the remote 2-circuit transformer (sold separately) are connected. Available in 1, 6, 12, 24, 36, 48, and 96 inch lengths. Use with corresponding rigid standoff's, and T4x300-D12 transformer. Finish available in satin nickel, polished nickel, or antique bronze. ETL listed.

Shown in: Satin Nickel

List Price: \$142.00  
 Our Price: \$85.20

Shade Color: N/A  
 Body Finish: Satin Nickel  
 Lamp: N/A  
 Wattage: N/A  
 Dimmer: N/A  
 Dimensions: 6"H x 4.3"W



Product Number: <b>EDG50197</b>			
Company:		Fixture Type:	Date: Mar 19, 2018
Project:		Approved By:	

#1200M2-4RDDUA-006XX--00SN

Fax: (773) 883-6131

Phone: 866-954-4489

Address: 1718 W. Fullerton Ave. Chicago IL 60614

www.Lightology.com