

# Monorail 2-Circuit Adjustable Standoff



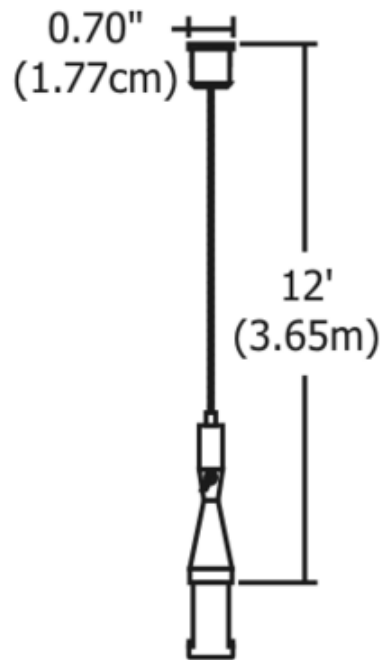
**Description:**

Monoarail 2-circuit adjustable standoffs feature a clean and minimal look. Best suited for straighter runs. 12 feet of field-cutttable aircraft cable is adjustable with integral wire grip. Place a standoff every 3 feet on the rail system. For best appearance, place a standoff near the end of the run and at every point where joining two pieces of 2-circuit Monorail together. Finish available in satin nickel, polished nickel or antique bronze. ETL listed.

Shown in: Satin Nickel

List Price: \$31.00  
 Our Price: \$18.60

Shade Color: N/A  
 Body Finish: Satin Nickel  
 Lamp: N/A  
 Wattage: N/A  
 Dimmer: N/A  
 Dimensions: 1.44"H x 0.7"W



Product Number: <b>EDG50227</b>			
Company:		Fixture Type:	Date: Apr 26, 2018
Project:		Approved By:	

#1200M2-ADJSTD-144XX-00SN

Fax: (773) 883-6131

Phone: 866-954-4489

Address: 1718 W. Fullerton Ave. Chicago IL 60614

www.Lightology.com