

Monorail 2-Circuit L Conductive Connector



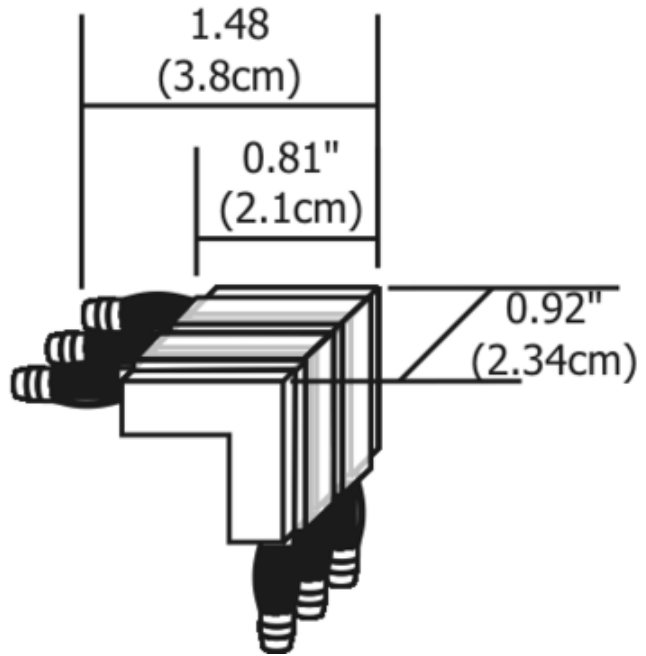
Description:

Monorail 2-circuit L conductive connectors joins and electrically conducts two sections of 2-circuit Monorail 90 degrees on a horizontal plane. Finish available in satin nickel, polished nickel, or antique bronze. ETL listed.

Shown in: Satin Nickel

List Price: \$67.00
 Our Price: \$53.60

Shade Color: N/A
 Body Finish: Satin Nickel
 Lamp: N/A
 Wattage: N/A
 Dimmer: N/A
 Dimensions: 1.48"H x 0.92"W



Product Number: EDG50296			
Company:		Fixture Type:	Date: Mar 20, 2018
Project:		Approved By:	

#1200M2-LCONC-000XX-00SN

Fax: (773) 883-6131

Phone: 866-954-4489

Address: 1718 W. Fullerton Ave. Chicago IL 60614

www.Lightology.com