

# Monorail 2-Circuit Rigid Standoff



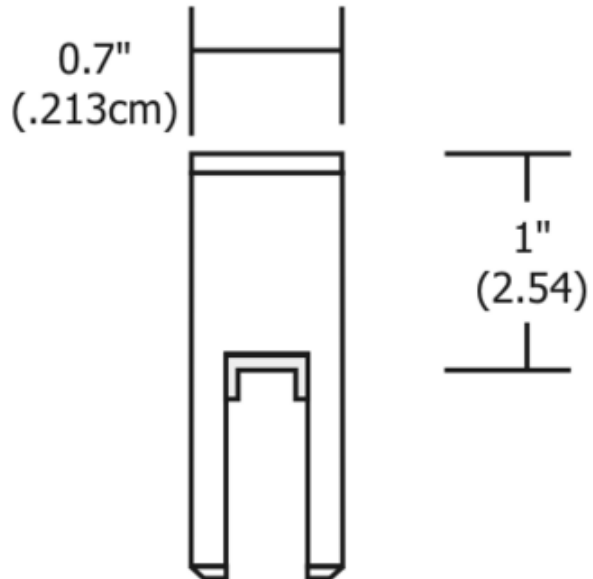
**Description:**

Monorail 2-circuit rigid standoff is compatible with various power feed options. Recommended for curved runs or runs with heavier penants or fixture heads. Available in 1, 2, 6, 12, 24, 36, 48, or 96 inch heights. Place a standoff every 3 feet on the rail system. For best appearance, place a standoff near the end of the run and at every point where joining two pieces of 2-circuit Monorail together. Standoff is field-cutttable. Finish available in satin nickel, polished nickel, or antique bronze. ETL listed.

Shown in: Satin Nickel

List Price: \$19.00  
 Our Price: \$11.40

Shade Color: N/A  
 Body Finish: Satin Nickel  
 Lamp: N/A  
 Wattage: N/A  
 Dimmer: N/A  
 Dimensions: 6"H x 0.7"W



Product Number: <b>EDG50403</b>			
Company:		Fixture Type:	Date: Apr 20, 2018
Project:		Approved By:	

#1200M2-RGDSTDO-006XX-00SN

Fax: (773) 883-6131

Phone: 866-954-4489

Address: 1718 W. Fullerton Ave. Chicago IL 60614

www.Lightology.com