

Monorail 2-Circuit Straight Conductive Connector



Description:

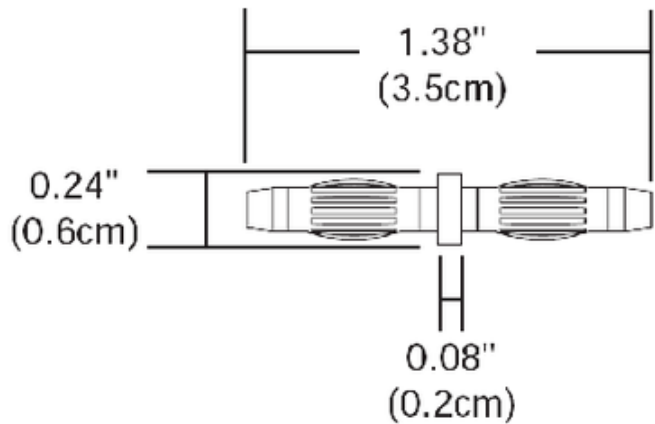
Monorail 2-circuit straight conductive connectors physically, and electrically, join two pieces of 2-circuit Monorail together. One pair is included with each piece of 2-circuit Monorail. Purchase separately if rail is to be cut and rejoined. Finish available in satin nickel, polished nickel or antique bronze. ETL listed.



Shown in: Satin Nickel

List Price: \$11.01
 Our Price: \$6.61

Shade Color: N/A
 Body Finish: Satin Nickel
 Lamp: N/A
 Wattage: N/A
 Dimmer: N/A
 Dimensions: 1.38"L x 0.24"W



Product Number: EDG50538			
Company:		Fixture Type:	Date: Mar 17, 2018
Project:		Approved By:	

#1200M2-CONCONN-000XX-00SN

Fax: (773) 883-6131

Phone: 866-954-4489

Address: 1718 W. Fullerton Ave. Chicago IL 60614

www.Lightology.com