

Monorail 2-Circuit 2X250W Surface Mount Magnetic Transformer



Description:

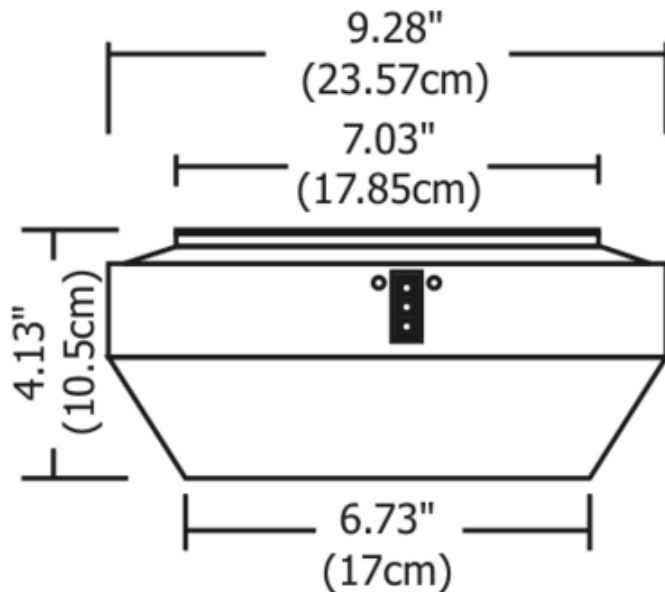
Monorail 2-Circuit 2x250 watt, 12 volt, surface mount magnetic transformer converts two 120 volt input to two low-voltage 12 volt output. The decorative surface mount transformer mounts to a standard 4 inch square electrical box with round plaster ring or octagon electrical box (not included). Rail attaches to one or both side-feed contacts using push-in conductive connectors (included). Standard surface mount transformer powers the rail 1 inch from ceiling. Use with 1 inch standoff's. Maximum 2x250 watt loads. Is LED compatible with 12 volt AC LED's. Finish available in satin nickel, polished nickel, or antique bronze. ETL listed.



Shown in: Satin Nickel

List Price: \$376.00
 Our Price: \$225.60

Shade Color: N/A
 Body Finish: Satin Nickel
 Lamp: N/A
 Wattage: N/A
 Dimmer: Low Voltage Magnetic
 Dimensions: 4.13"H x 9.28"W



Product Number: EDG50552			
Company:		Fixture Type:	Date: Mar 23, 2018
Project:		Approved By:	

#1200M2-MT2X250-012H1-00SN

Fax: (773) 883-6131

Phone: 866-954-4489

Address: 1718 W. Fullerton Ave. Chicago IL 60614

www.lightology.com