

TL575-20 20W Magnetic Remote Driver/Transformer 12V



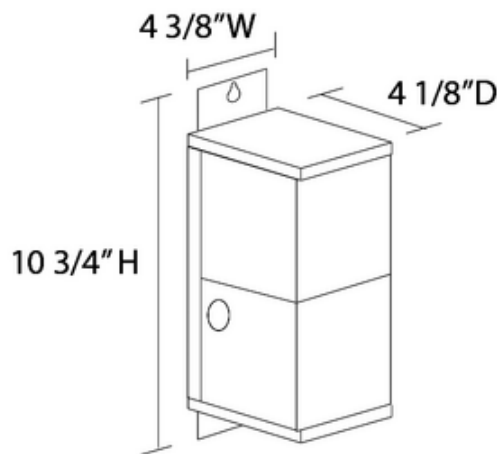
Description:

TL575-20 12 Volt 1-Circuit 20 Watt Magnetic Remote Driver/Transformer is rated for incandescent or LED loads 0.50 to 20 watts, 120VAC input. Potted core and coil construction with 13 volt boost tap. Features thermally protected primary, manually resettable, fast-acting magnetic circuit breaker on secondary. Primary and secondary circuits physically and electrically isolated. Resettable magnetic circuit breaker. Incandescent loads can be dimmed with high quality dimmers designed specifically for use with magnetic transformer. LED loads may be dimmed using only dimmers that have been tested and qualified by Juno for use with Juno LED fixtures including: Lutron Diva DVLV-600P, Lutron Nova NLV-600, Lutron Ceana CNLV-600P, or Lutron Skylark SLV-600P. UL Listed. New York City approved. 10.75 inch length x 4.4 inch width x 4.1 inch depth. Compatible with Juno Lighting Trac 12 and Trac 12/25 miniature low voltage track systems using LED or halogen luminaires.

Shown in: Black

List Price: \$170.94
 Our Price: \$102.56

Shade Color: N/A
 Body Finish: Black
 Lamp: N/A
 Wattage: N/A
 Dimmer: Low Voltage Magnetic
 Dimensions: 10.75"L x 4.4"W x 4.1"D



Product Number: JUN50554			
Company:		Fixture Type:	Date: Mar 22, 2018
Project:		Approved By:	

#1000XP-TL575-00520-OOBL

Fax: (773) 883-6131

Phone: 866-954-4489

Address: 1718 W. Fullerton Ave. Chicago IL 60614

www.Lightology.com