

Monorail Wall 2 Inch Square Canopy



Description:

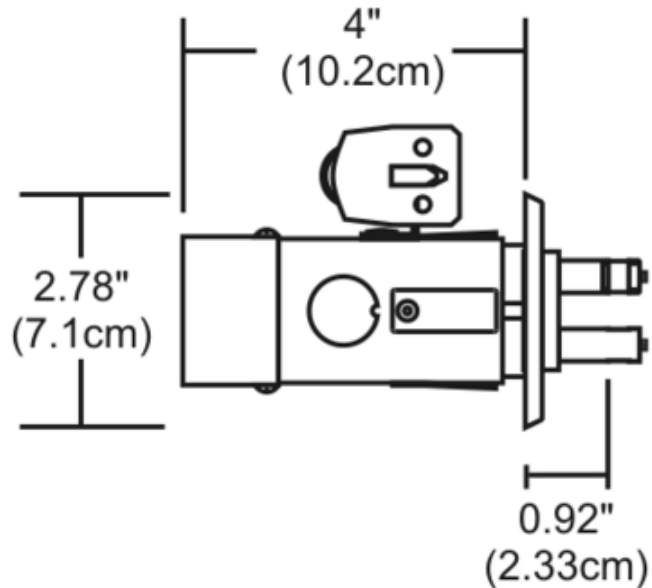
Monorail Wall single circuit 2 inch square power feed canopy mounts on the wall behind the Monorail Wall run. It is mounted to a special 2 inch square, 3.5 inch deep electrical box with mounting bars (included) and is connected to the low voltage leads from the single feed remote transformer, sold separately. Finish available in Satin Nickel, Polished Nickel or Antique Bronze.



Shown in: Satin Nickel

List Price: \$33.00
 Our Price: \$19.80

Shade Color: N/A
 Body Finish: Satin Nickel
 Lamp: N/A
 Wattage: N/A
 Dimmer: N/A
 Dimensions: 2.78"W x 4"D



Product Number: EDG50606			
Company:		Fixture Type:	Date: Apr 24, 2018
Project:		Approved By:	

#1200MW-2SQSGL-001H1-00SN

Fax: (773) 883-6131

Phone: 866-954-4489

Address: 1718 W. Fullerton Ave. Chicago IL 60614

www.Lightology.com