

Miconos Ceiling Mount



Designer: Ernesto Gismondi

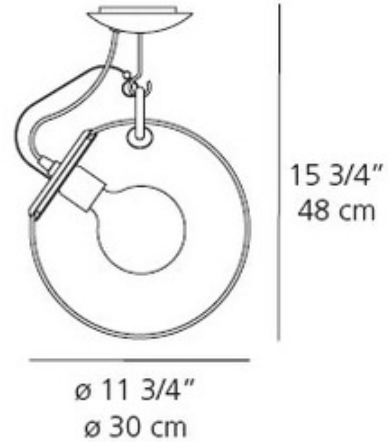
Description:

Miconos ceiling mount features a transparent hand blown glass diffuser with handle and lamp holder assembly in chromed steel. Supporting bracket in chromed steel that mounts to standard junction box. One 150 watt, 120 volt, G40, medium base incandescent lamp not included. General light distribution. UL listed. 11 inch diameter x 17 inch overall height.

Shown in: Chrome / Clear

List Price: \$806.25
Our Price: \$548.25

Shade Color: Clear
Body Finish: Chrome
Lamp: 1 x G40/Medium (E26)/150W/120V Incandescent
Wattage: 150W
Dimmer: Incandescent
Dimensions: 17"H x 11.75"W



Product Number: ART51210			
Company:		Fixture Type:	Date: Mar 21, 2018
Project:		Approved By:	

#0112CF-MICONOS-01211-TRCH

Fax: (773) 883-6131

Phone: 866-954-4489

Address: 1718 W. Fullerton Ave. Chicago IL 60614

www.Lightology.com