



DESIGNER Michele De Lucchi & Giancarlo Piretti
BRAND Artemide

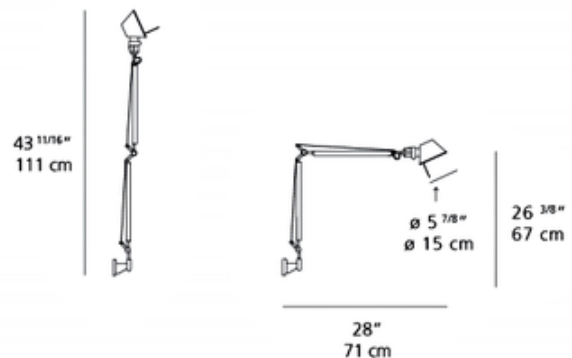
DESCRIPTION

Tolomeo Mini Wall Light with S Bracket (cord and plug) features a fully articulated arm, body structure and diffuser in extruded natural anodized Aluminum, Black or White. Joints and tension control knobs in polished die-cast aluminum and tension cables in stainless steel. Type S suitable for wall surface mounting with cord and plug. Diffuser is tiltable and is 360 degree rotatable on lampholder. On/off switch. Requires one 100 watt, 120 volt A19 type medium base incandescent lamp, but is not included. UL listed. 5 7/8 inch diameter shade. 26 3/8 inch height x 28 depth x 43 11/16 inch fully extended arm.



Shown in: Aluminum

SHADE COLOR	N/A
BODY FINISH	Aluminum
WATTAGE	72W
DIMMER	Standard 120V
DIMENSIONS	43.7"L x 5.9"W x 26.4"H x 28"D
BULB NOT INCLUDED	
LAMP	1 x A19/Medium (E26)/72W/120V Incandescent



SPEC # ART51298

COMPANY	PROJECT	FIXTURE TYPE	APPROVED BY	DATE