

Remote 4x300W 12V Dual Feed Magnetic Transformer



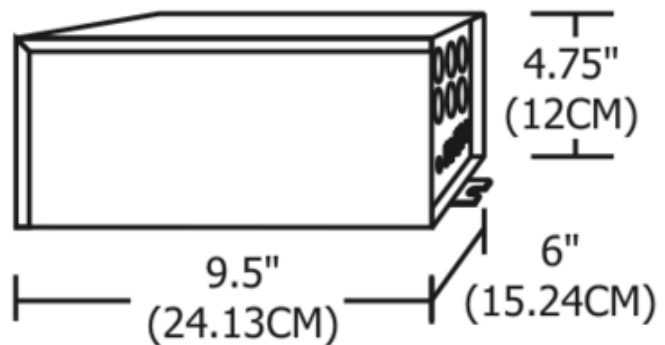
Description:

Two 2X300 Watt Remote Magnetic Transformers convert four line volt inputs into four low voltage 300 watt, 12 volt outputs for powering Monorail 2 Circuit system. The remote transformer must be installed in an accessible location (such as an attic or in a closet), and it is best to keep transformer within 20 feet of power canopy/ junction box to prevent voltage drop. Protected by fast acting secondary circuit breaker. Dimmable using four 600 watt magnetic low voltage dimmers, sold separately. Some buzzing may occur on low levels and may be reduced with four dimming de-buzzing coils, sold separately. System not dimmable when one circuit uses halogen and the other circuit uses LED. All other combinations are dimmable. Requires dual power feed canopy, sold separately. ETL listed. 6 inch width x 9.5 inch length x 4.75 inch height.

Shown in: Black

List Price: \$579.00
 Our Price: \$347.40

Shade Color: N/A
 Body Finish: Black
 Lamp: 1 x 1200W Halogen
 Wattage: 1200W
 Dimmer: Low Voltage Magnetic
 Dimensions: 9.5"L x 4.75"H x 6"W



Product Number: EDG53558			
Company:		Fixture Type:	Date: Apr 21, 2018
Project:		Approved By:	

#1200XP-RMT4300-000X2-0000

Fax: (773) 883-6131

Phone: 866-954-4489

Address: 1718 W. Fullerton Ave. Chicago IL 60614

www.lightology.com