



BRAND

Lights Up

DESCRIPTION

Pendant brings a Midcentury Modern look to a variety of room styles. The inner Brussels Linen shade is complemented with an outer shade in Cherry veneer. Finished in Brushed Nickel. 5 inch diameter canopy. ETL and UL listed.

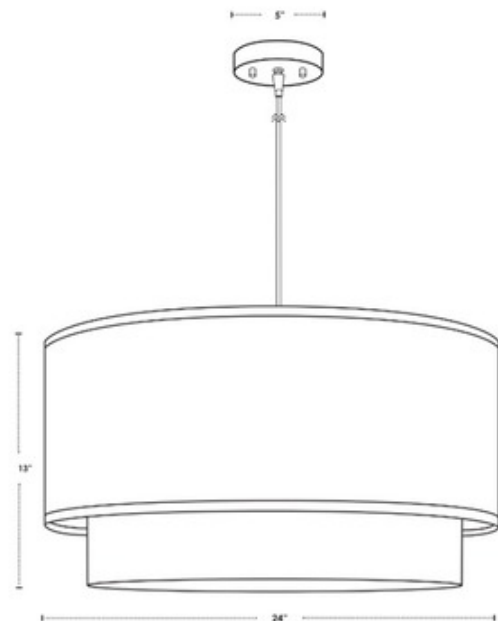


SHADE COLOR	Brussels / Natural Linen
BODY FINISH	Brushed Nickel
WATTAGE	200W
DIMMER	Standard 120V
DIMENSIONS	24"W x 13"H
BULB NOT INCLUDED	
LAMP	2 x A19/Medium (E26)/100W/120V Incandescent 2 x A19/Medium (E26)/120V LED

Technical Information

PRODUCT DIMENSIONS	Cable Length: 96"
---------------------------	-------------------

SPEC # LUP53890



COMPANY

PROJECT

FIXTURE TYPE

APPROVED BY

DATE