



**BRAND**

Robert Abbey

**DESCRIPTION**

Echo Table Lamp features a Fondine fabric shade with Stainless Steel or Deep Patina Bronze finishes. Features 3-way switch. General lighting distribution. Shade: 17 inch width x 10.5 inch height. UL listed.

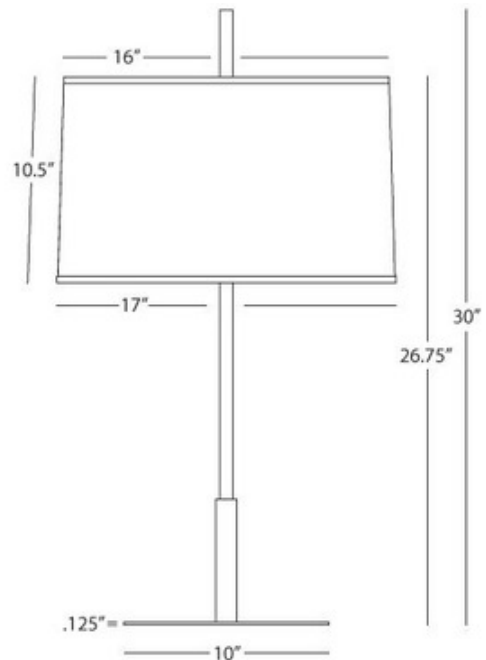


*Shown in: Stainless Steel / Fondine*

<b>SHADE COLOR</b>	Fondine
<b>BODY FINISH</b>	Stainless Steel
<b>WATTAGE</b>	150W
<b>DIMMER</b>	Included
<b>DIMENSIONS</b>	17"W x 30"H
<b>BULB NOT INCLUDED</b>	
<b>LAMP</b>	1 x A19 3-Way/Medium (E26)/150W/120V Incandescent

**SPEC #**

RAB54323



COMPANY

PROJECT

FIXTURE TYPE

APPROVED BY

DATE