



BRAND

WAC Lighting

DESCRIPTION

4 Inch Magnetic Non-IC New Construction Housing features an integral magnetic transformer. Housing is 20 gauge steel, painted black. Frame, junction box and hanger bars are heavy gauge galvanized steel. Seven knockouts and four Romex style wiring connectors provided for ease of installation. Rated for branch and chain wiring. Includes hanger bars, adjustable from 12-24 inches to accommodate various joist construction and grid sizes. Hanger bars have nailers for wood joists as well as slots for easy mounting on T bars. Accommodates surface thickness of up to 0.75 inches. 4 inch cutout hole. Compatible trims include HR-8411, HR-8412, HR-8414, HR-8417, HR-D411, HR-D412, HR-D413, HR-D414, HR-D415, HR-D416, HR-D417, HR-D418, HR-D419, HR-D420, HR-D423 and HR-D425 (all sold separately). Magnetic transformer for 12 volt MR16 lamps, 50 watts maximum. Non-IC rated. Insulation must be kept at least 3 inches away from the housing. Downward light distribution. U.L. and C.U.L. listed. Suitable for damp locations. 11.5W x 6.31H x 9L.

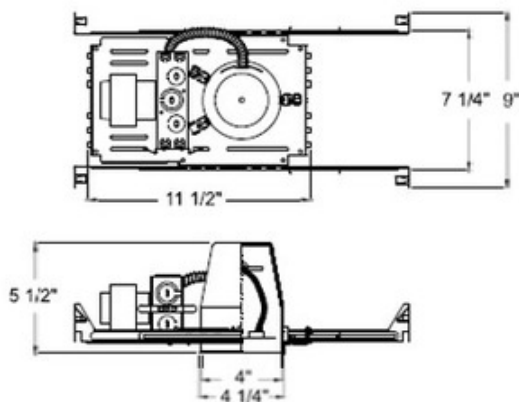


TRIM COLOR	N/A
BODY FINISH	Black
WATTAGE	50W
DIMMER	Low Voltage Magnetic
DIMENSIONS	9"L x 11.5"W x 6.31"H
BULB NOT INCLUDED	
LAMP	1 x MR16/GU5.3 (bipin)/50W/12V Halogen 1 x MR16/GU5.3 (bipin)/12V LED

Technical Information

HOUSING TYPE	New Construction NON IC
HOUSING HEIGHT	7"
APERTURE SIZE	4.000"

SPEC # WAC55125



COMPANY	PROJECT	FIXTURE TYPE	APPROVED BY	DATE